



## WC - Lissé

Tissue holder with cover - platinum matte

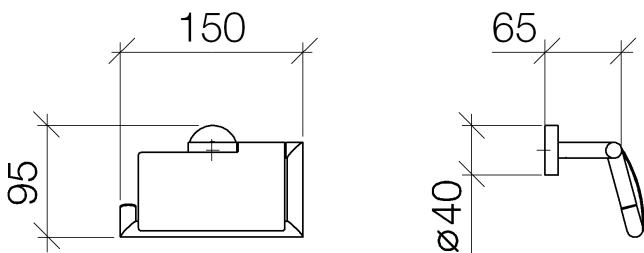
Article number: 83 510 979-06

- Width 5-7/8"
- Height 3-3/4"
- Flange diameter 1-5/8"
- 1-5/8" Projection



platinum matte

## Dimensional drawing



All dimensions in mm / inch = mm x 0,0394



WC - Lissé

Tissue holder with cover - platinum matte

Article number: 83 510 979-06



## WC - Lissé

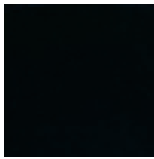
Tissue holder with cover - platinum matte

Article number: 83 510 979-06

### Other surface finishes



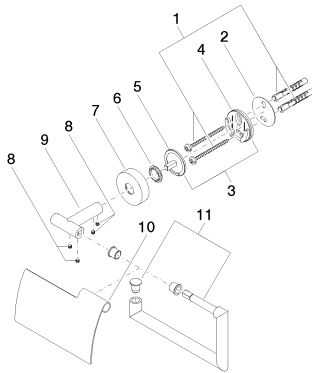
polished chrome  
83 510 979-00



black matte  
83 510 979-33

More custom finish options are available via special production (xTra Service). Please see our finish matrix for availability and pricing or contact a Dornbracht representative.

### Spare parts list



Number	Item Number	Designation	Number of units
<hr/>			